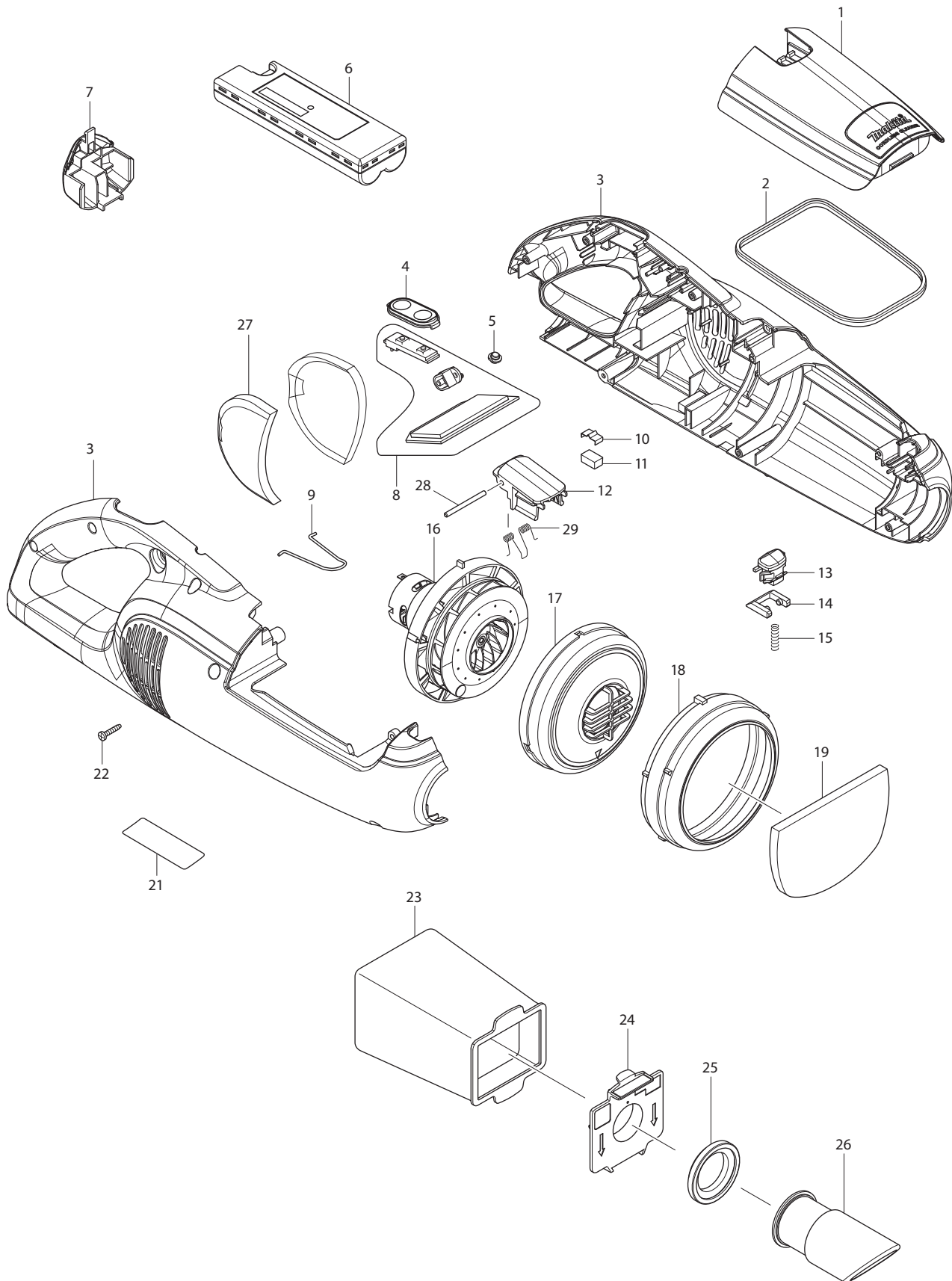




08 - 2014  
CL105DWX  
10.8V LXT VACUUM CLEANER BLUE  
(BATTERY BUILT-IN TYPE)



Item No	Type	Ref	Part No	Description	Qty	Unit
001			455253-0	FRONT COVER	1	PC.
002			424528-8	SEAL	1	PC.
003			187931-1	HOUSING SET	1	PC.
004	2		143095-1	* SWITCH PLATE COMPLETE	1	PC.
005			450522-4	LENS	1	PC.
006	1		632D83-2	10.8V LI-ION BUILT-IN BATTERY	1	PC.
	2		632C24-2	10.8V LI-ION BUILT-IN BATTERY	1	PC.
007			455250-6	COVER	1	PC.
008	2		620452-5	CONTROLLER	1	PC.
009			324885-3	HANGER	1	PC.
010			232264-0	LEAF SPRING	1	PC.
011			424367-6	RUBBER	1	PC.
012			455249-1	FRONT COVER JOINT	1	PC.
013			455251-4	BUTTON	1	PC.
014			455027-9	STOPPER	1	PC.
015			233344-5	COMPRESSION SPRING 4	1	PC.
016			126231-4	MOTOR ASSEMBLY	1	PC.
017			454084-4	FAN COVER	1	PC.
018			424320-2	RUBBER RING	1	PC.
019	2		424804-0	SPONGE SHEET 70-110	1	PC.
021			850J67-6	NAME PLATE F/CL105D	1	PC.
022			266130-9	TAPPING SCREW BIND PT 3X16	8	PC.
023	1		166084-9	DUST CLOTH FILTER BAG - BULK	1	PC.
	2		198746-1	DUST CLOTH FILTER BAG - PKG	1	PC.
024	1		141088-2	VALVE STAY COMPLETE	1	PC.
	2		143677-9	VALVE STAY COMPLETE	1	PC.
025			424094-5	PACKING	1	PC.
026			451400-1	INLET (BLUE)	1	PC.
027			423444-1	SPONGE SHEET 52-76	2	PC.
028			268271-7	PIN 3	1	PC.
029			233580-3	TORSION SPRING 4	1	PC.
C01			876261-2	CARTON	1	PC.
E01			804C21-0	CAUTION LABEL	1	PC.

### **ACCESSORIES**

**- See Catalogue or visit [www.makita.ca](http://www.makita.ca) for more accessories -**

A01	2		123488-8	NOZZLE ASSEMBLY (T-NOZZLE), BLUE	1	PC.
		INC.	451410-8	ROLLER	4	PC.
		INC.	268208-4	PIN 3	4	PC.
		INC.	424096-1	WIPER	1	PC.
A02			194566-1	PAPER FILTER SET (5PCS/SET)	1	SET
			194565-3	PAPER FILTER SET (10PCS/SET)	1	SET
A03			451243-1	SASH NOZZLE	1	PC.
A04			451245-7	SASH NOZZLE HOLDER	1	PC.
A05			451244-9	PIPE	1	PC.
A06			DC1001	CHARGER DC1001	1	PC.
A07	2		198548-5	ROUND BRUSH SET, IVORY	1	PC.
A08			198150-4	NOZZLE ASSEMBLY (T-NOZZLE), F/ CARPET, IVORY, DX S	1	PC.